

PRIMA

---

## Service Information

### Hob Gas

### LPR 961

8579 307 15500

Last Modification: 08/30/10

---

<b>Spare Part List</b>	<b>2</b>
<b>Exploded View</b>	<b>3</b>
<b>Technical Data</b>	<b>4</b>
<b>Gastable</b>	<b>5</b>
<b>Dimensional Sketch</b>	<b>6</b>
<b>Wiring Diagram</b>	<b>7</b>

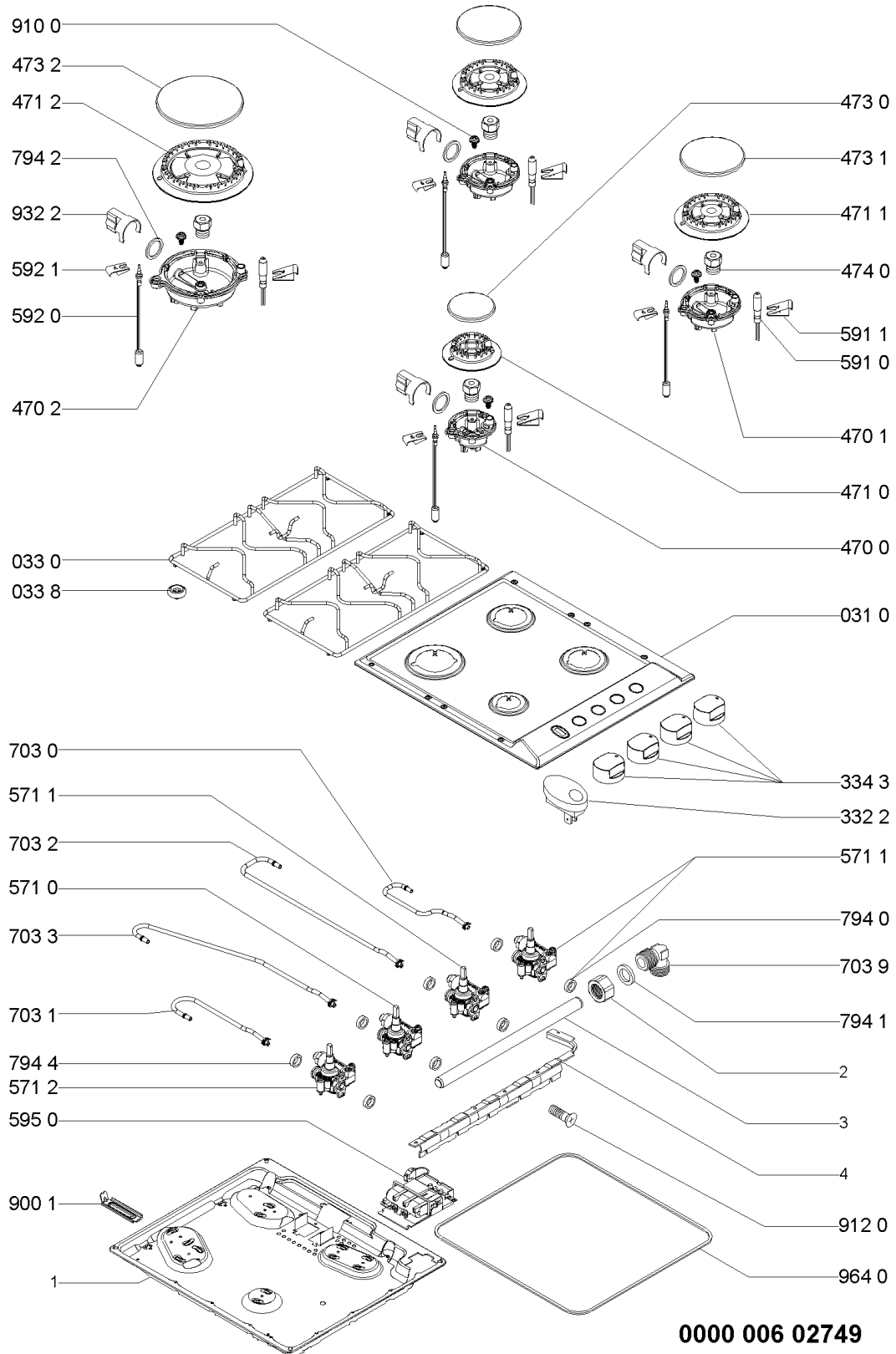
---

This document is only intended for qualified technicians who are aware of the respective safety regulations.  
Subject to modifications

## Spare Part List

Pos	12NC	Description
031 0	<b>4812 440 39405</b>	Hob
033 0	<b>4819 310 39802</b>	Grid for hob kit
033 8	<b>4819 468 18388</b>	Buffer piece grid
332 2	<b>4812 276 18334</b>	Switch ignition
334 3	<b>4801 211 04133</b>	Knob
470 0	<b>4812 360 68854</b>	Injector holder A
470 1	<b>4812 360 68855</b>	Injector holder SR
470 2	<b>4812 360 69014</b>	Injector holder R
471 0	<b>4812 360 78156</b>	Burner A
471 1	<b>4812 360 78157</b>	Burner SR
471 2	<b>4812 360 78158</b>	Burner R
473 0	<b>4812 360 68851</b>	Burner cap A
473 1	<b>4812 360 68852</b>	Burner cap SR
473 2	<b>4812 360 68853</b>	Burner cap R
474 0	<b>4812 310 39113</b>	Set of nozzles G20-20 mbar
571 0	<b>4812 360 58504</b>	Gas cock R/UR
571 1	<b>4812 360 58502</b>	Gas cock SR G20
571 2	<b>4812 360 58501</b>	Gas cock A G20
591 0	<b>4812 252 68088</b>	Spark plug L=300
591 1	<b>4812 492 28219</b>	Spring spark plug
592 0	<b>4801 211 01065</b>	Thermo couple L=520
592 1	<b>4819 492 68789</b>	Spring
595 0	<b>4812 142 08005</b>	Transf.puls + terminal block
703 0	<b>4812 530 49126</b>	Gas pipe rear right
703 1	<b>4812 530 49124</b>	Gas pipe front right
703 2	<b>4812 530 49125</b>	Gas pipe rear left
703 3	<b>4812 530 49123</b>	Gas pipe front left
703 9	<b>4819 310 39599</b>	Tube bend
794 0	<b>4812 466 88908</b>	Gasket
794 1	<b>4801 211 03128</b>	Gasket
794 2	<b>4819 530 58065</b>	Gasket ring
794 4	<b>4801 111 01551</b>	Gasket airtrap
900 1	<b>4801 211 00709</b>	Fastener
910 0	<b>4812 502 18833</b>	Screw
912 0	<b>4812 502 18667</b>	Screw M4X15
932 2	<b>4819 492 68831</b>	Spring
964 0	<b>4812 466 88988</b>	Gasket

## Exploded View



## Technical Data

### Electrical base data

Voltage ..... 230 V - 240 V  
Frequency ..... 50 Hz

### Cooking zones

Front right  
    Small burner  
Front left  
    Large burner  
Rear right  
    Medium burner  
Rear left  
    Medium burner

## Gastable

INJECTORS TABLE

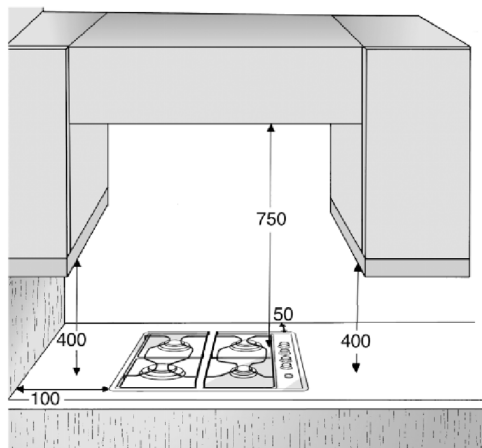
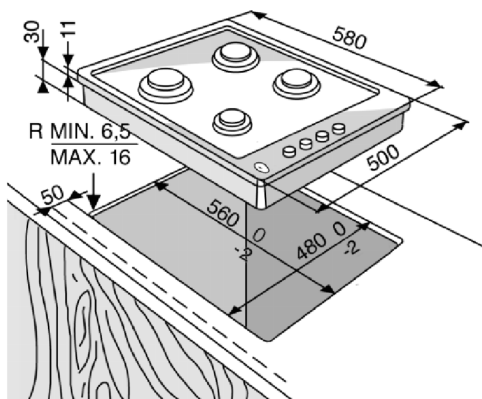
CATEGORY II2H3 B/P

Type of gas used	Type of burner	Injector marking	Rated heat capacity kW	Rated consumption	Reduced heat capacity kW	Gas pressure (mbar)		
						min.	rat.	max.
NATURAL GAS (Methane) <b>G20</b>	rapid	Y 115	3.00	286 l/h	0.60	17	20	25
	semirapid	H2 98	1.65	157 l/h	0.35			
	auxiliary	X 72	1.00	95 l/h	0.30			
LIQUID PETROLEUM GAS (Butane) <b>G30</b>	rapid	87	3.00	218 g/h	0.60	20	28-30	35
	semirapid	65	1.65	120 g/h	0.35			
	auxiliary	50	1.00	73 g/h	0.30			
LIQUID PETROLEUM GAS (Propane) <b>G31</b>	rapid	87	3.00	214 g/h	0.60	25	37	45
	semirapid	65	1.65	118 g/h	0.35			
	auxiliary	50	1.00	71 g/h	0.30			

Type of gas used	Appliance model 4 burners	Total rated heat capacity kW	Total rated consumption	Air necessary (m <sup>3</sup> ) for the combustion of 1 m <sup>3</sup> of gas
<b>G20</b> 20 mbar	1R - 2 SR - 1 AUX	7.30	695 l/h	9.52
<b>G30</b> 30 mbar	1R - 2 SR - 1 AUX	7.30	531 g/h	30.94
<b>G31</b> 30 mbar	1R - 2 SR - 1 AUX	7.30	521 g/h	23.80

5019 619 01200 en

## Dimensional Sketch



5019 619 01200

## Wiring Diagram

