



Service Information

Built-in Oven

LPR 9032

8577 956 15000

Last Modification: 08/25/10

Spare Part List	2
Exploded View	4
Technical Data	6
Wiring Diagram	7

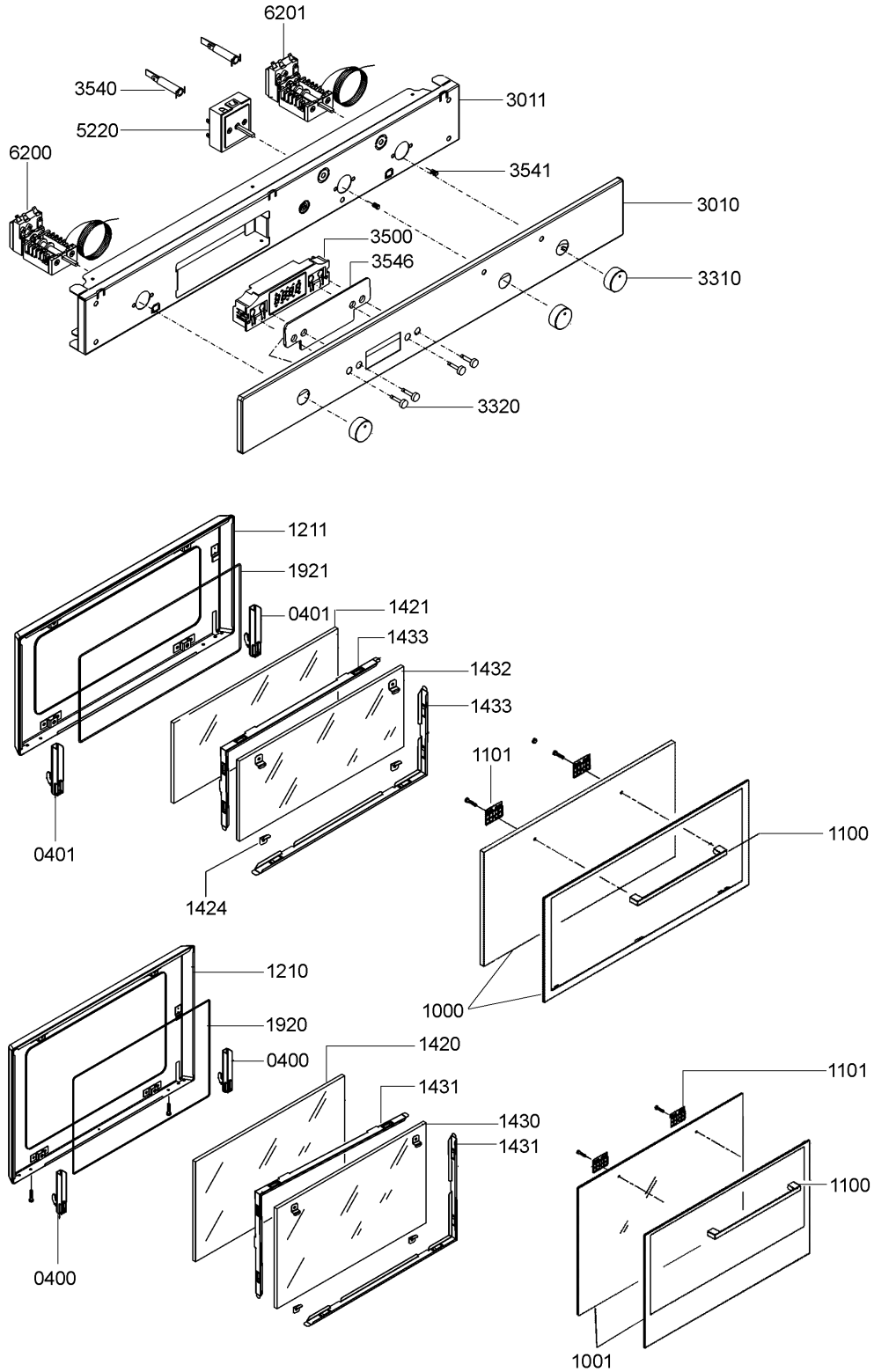
This document is only intended for qualified technicians who are aware of the respective safety regulations.
Subject to modifications

Spare Part List

Pos	12NC	Description
022 0	4812 464 18151	Panel side right
022 1	4812 464 18152	Panel side left
022 2	4812 464 18154	Frame post right
022 3	4812 464 18153	Frame post left
025 0	4812 815 18708	Trim side
025 2	4812 815 18709	Plate support
040 0	4812 417 19298	Hinge oven door lower
040 1	4812 417 19299	Hinge oven door upper
043 2	4812 417 19297	Hinge support oven door
100 0	4801 211 00246	Oven glass upper complete
100 1	4801 211 00247	Oven glass lower complete
110 0	4812 498 68276	Handle
110 1	4812 498 78634	Support support
121 0	4812 416 19709	Door frame inner door 1/2 BL
121 1	4812 416 19708	Door frame inner door 3/4 BL
142 0	4812 450 68293	Oven glass door glass 3/4
142 1	4812 450 68294	Oven glass door glass 1/2
142 4	4812 404 18465	Bracket inner door glass
143 0	4812 450 58984	Oven glass medium
143 1	4812 404 18464	Door frame inner
143 2	4812 450 58985	Oven glass medium
143 3	4812 404 18463	Door frame inner
191 0	4812 468 18345	Gasket 1/2 oven
191 1	4812 468 18347	Gasket oven 3/4
192 0	4812 468 18346	Gasket 3/4 oven
192 1	4812 468 18348	Gasket oven 1/2
201 0	4812 423 78009	Fan oven diffuser
245 0	4812 458 19268	Oven shelf
245 1	4812 458 19266	Grill grid
247 0	4812 418 38126	Baking tray
247 1	4812 423 78011	Handle baking tray
256 5	4812 401 18697	Bracket
261 0	4812 458 19269	Inset grid upper cavity
261 2	4812 404 18118	Bracket
261 8	4812 458 19267	Inset grid lower cavity
301 0	4801 211 00452	Panel control
301 1	4801 211 00184	Support control panel
331 0	4801 211 00243	Knob
332 0	4801 211 00182	Push button black
350 0	4801 211 00188	Display board
354 0	4812 134 28063	Pilot lamp yellow
354 1	4812 462 28993	Cover light transparent
440 0	4812 361 18457	Motor fan complete
441 0	4812 028 58348	Ventilator tangential motor
441 1	4812 028 58349	Cover protect. cooling fan
451 0	4812 259 98583	Heating element circular 2000 W
452 0	4812 259 48111	Heating element
452 1	4812 413 78786	Cover grill
491 0	4812 321 28427	Terminal block + cable
491 1	4812 290 68306	Bracket terminal block

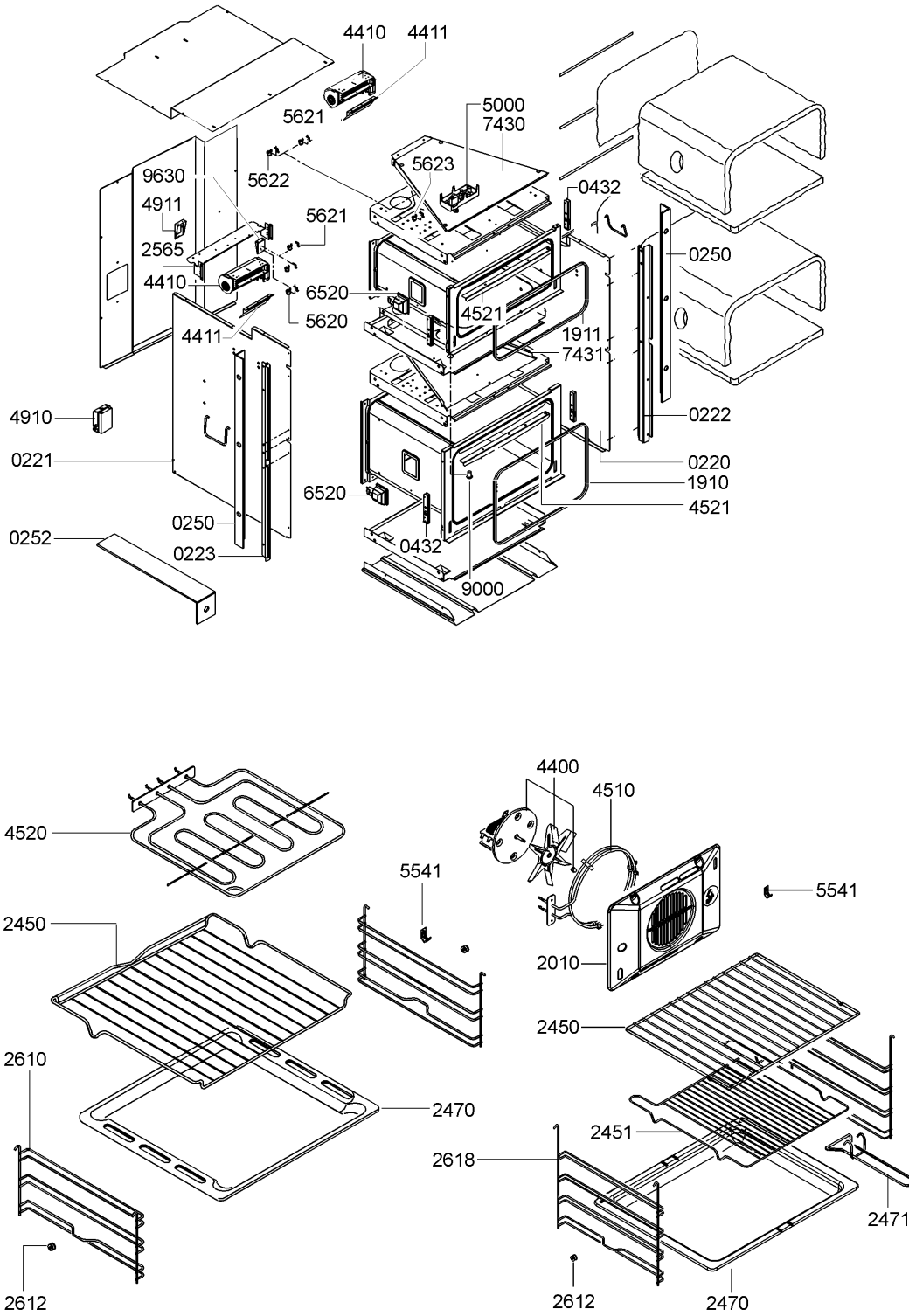
Pos	12NC	Description
500 0	4801 211 00187	User board
522 0	4812 273 28159	Regulator
554 1	4812 282 68022	Holder Thermostat
562 0	4812 215 38001	Thermostat safety T115
562 1	4812 282 48284	Thermostat safety T45
562 2	4812 282 08633	Thermostat safety NA T70
562 3	4812 282 48287	Thermostat safety T60
620 0	4812 282 48285	Switch,oven + thermostat lower
620 1	4812 282 08648	Switch,oven + thermostat upper
652 0	4812 134 28087	Lamp,oven
743 0	4812 440 39495	Conveyor air upper
743 1	4812 440 39496	Conveyor air lower
900 0	4812 462 48433	Chimney part condenser
963 0	4812 290 68307	Bracket

Exploded View



81002884

Exploded View



81002885

Technical Data

Dimensions + Weight

Product dimensions	
Height	715 mm
Width	596 mm
Depth	550 mm
Built-in dimensions	
Height	814 mm
Width	662 mm
Depth	682 mm
Cavity dimensions	
Lower oven	
Volume	46 l
Upper oven	
Volume	32 l
Weight	
net	56 kg
Gross	61 kg

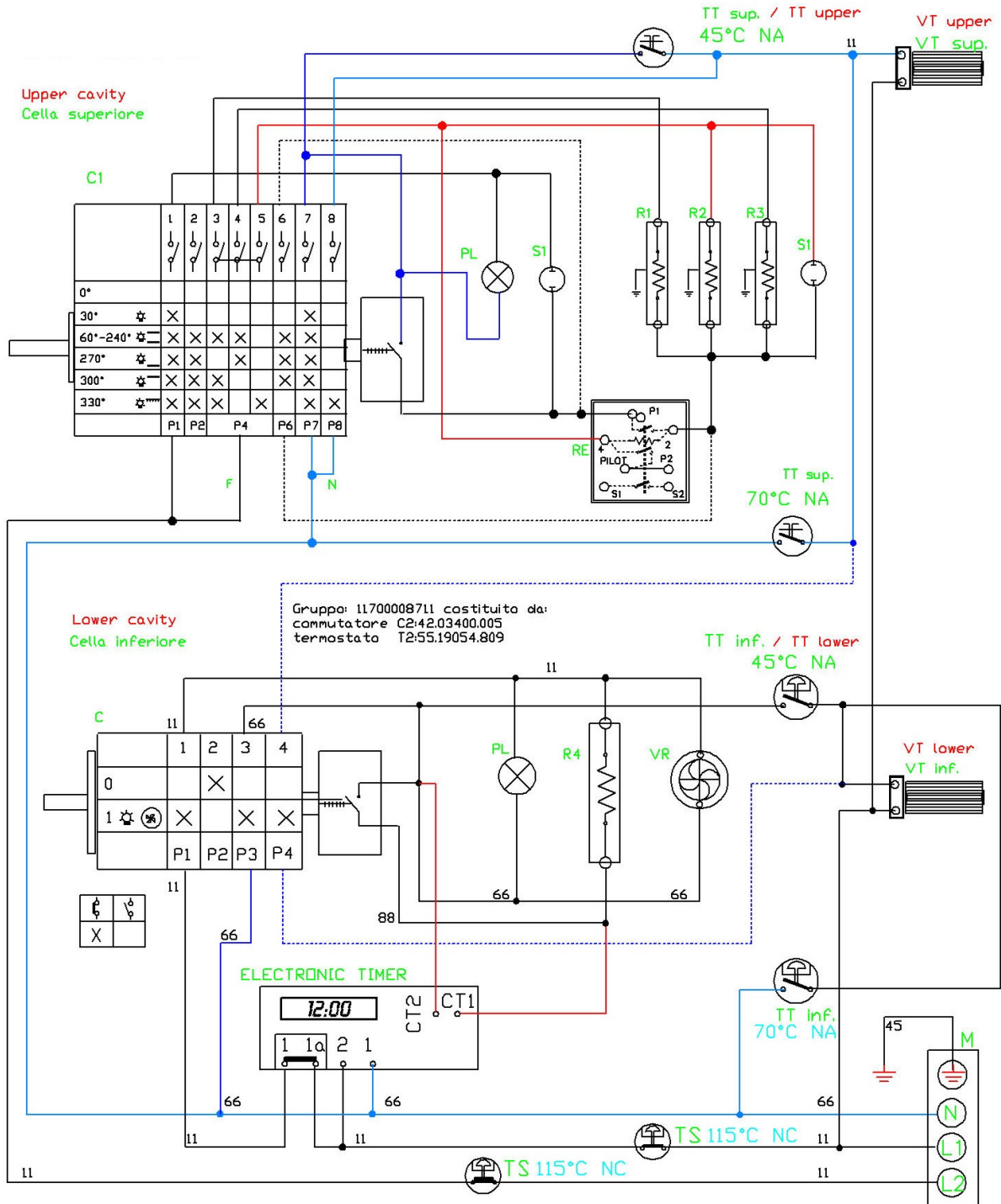
Electrical base data

Rated voltage	240 V~
Frequency	50 Hz
Current consumption	18 A

Power Consumption

Power Consumption	4120 W
-------------------------	--------

Wiring Diagram



0000001145-0

Legend

C1	ROTATE SWITCH + THERMOSTAT UPPER CAVITY
C2	ROTATE SWITCH + THERMOSTAT LOWER CAVITY
M	TERMINAL BLOCK
PE	ELECTRONIC TIMER
PL	OVEN TIMER
S1	SIGNAL LAMP
TS 115° NC	THERMAL CUT-OUT
TT * 45° NA	COOLING FAN THERMOSTAT
TT * 70° NA	COOLING FAN THERMOSTAT
VR	FAN MOTOR
VT*	COOLING FAN
R1	TOP HEAT. ELEMENT
R2	GRILL HEAT. ELEMENT
R3	BOTTOM HEAT. ELEMENT
R4	CIRCULAR HEAT. ELEMENT
RE	ENERGY REGULATOR
L	PHASE
N	NEUTRAL

* upper or lower

00	BLACK
11	BROWN
45	YELLOW-GREEN
66	BLUE
88	GREY

00000001145-0en