

PRIMA

## Service Information

### Built-in Oven

### LPR 9030

8579 259 15010

Last Modification: 08/28/10

---

<b>Spare Part List</b>	<b>2</b>
<b>Exploded View</b>	<b>4</b>
<b>Technical Data</b>	<b>5</b>
<b>Dimensional Sketch</b>	<b>6</b>
<b>Wiring Diagram</b>	<b>7</b>
<b>Service Bulletin 4812 715 40304</b>	<b>10</b>
<b>Service Bulletin 4812 715 40306</b>	<b>11</b>

---

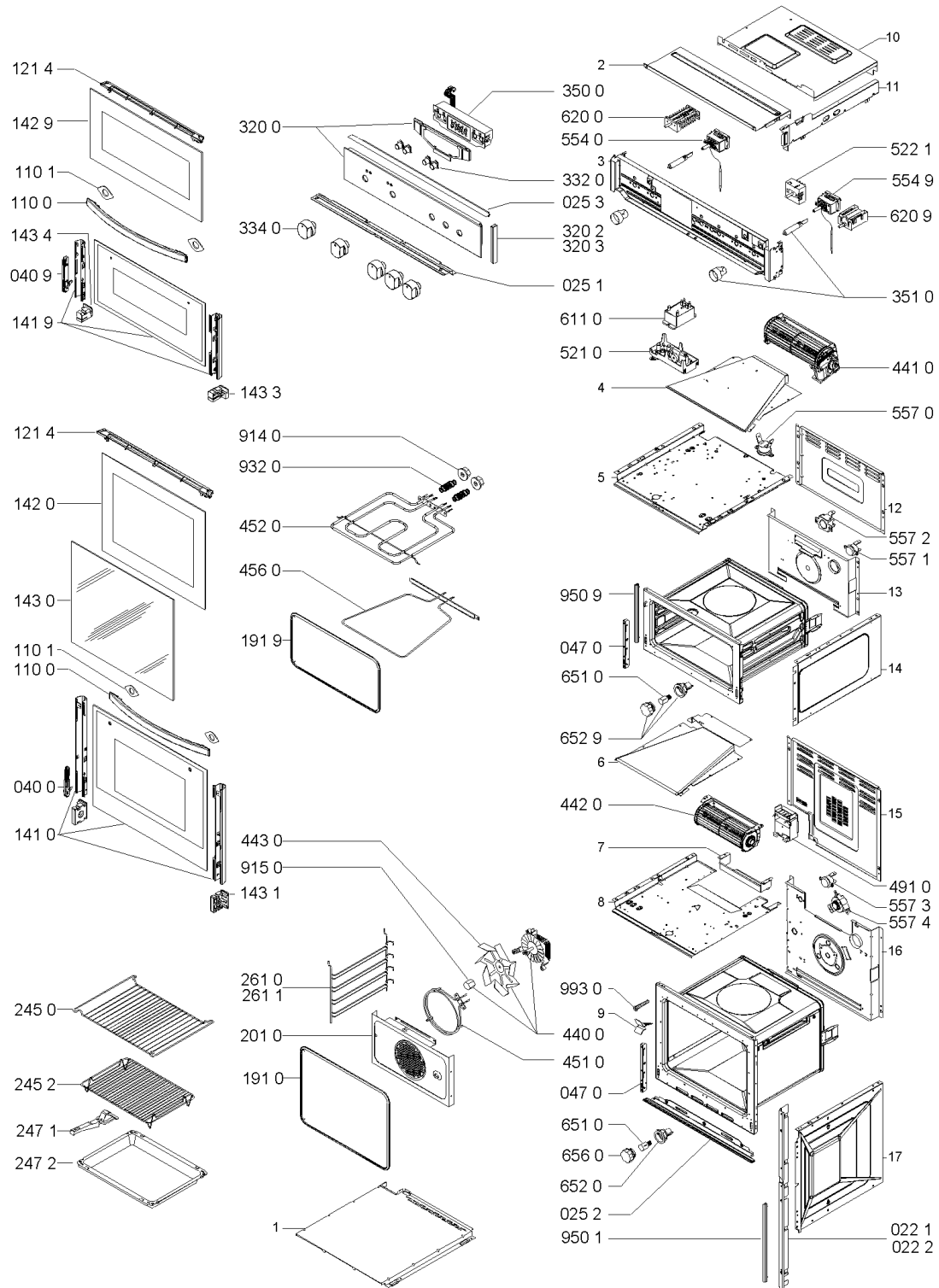
This document is only intended for qualified technicians who are aware of the respective safety regulations.  
Subject to modifications

**Spare Part List**

Pos	12NC	Description
022 1	<b>4812 460 68629</b>	Trim side left
022 2	<b>4812 460 68628</b>	Trim side right
025 1	<b>4812 460 79229</b>	Trim lower control panel
025 2	<b>4812 460 68641</b>	Profile
025 3	<b>4812 460 49499</b>	Trim upper
040 0	<b>4812 417 19437</b>	Hinge 3 V
040 9	<b>4801 211 00257</b>	Hinge 2glass 3M
047 0	<b>4812 417 78152</b>	Cover hinge
110 0	<b>4819 498 58588</b>	Handle door
110 1	<b>4819 462 48443</b>	Rubber
121 4	<b>4812 460 58418</b>	Exhaust fume Venturi
141 0	<b>4812 450 50087</b>	Oven glass + supports
141 9	<b>4812 450 50089</b>	Oven glass 3M + supports
142 0	<b>4812 450 59567</b>	Inner glass
142 9	<b>4812 450 59679</b>	Inner glass
143 0	<b>4812 450 59488</b>	Glass
143 1	<b>4812 404 38808</b>	Support glass
143 3	<b>4812 462 58102</b>	Support door glass right
143 4	<b>4812 462 58103</b>	Support door glass left
191 0	<b>4812 466 68922</b>	Gasket door 6M
191 9	<b>4812 466 68923</b>	Gasket door 3M
201 0	<b>4812 442 69504</b>	Panel rear
245 0	<b>4812 458 19334</b>	Oven shelf
245 2	<b>4819 458 19538</b>	Grid
247 1	<b>4819 395 48003</b>	Plier grid
247 2	<b>4812 418 38149</b>	Fat pan enameled
261 0	<b>4812 458 19304</b>	Inset grid left
261 1	<b>4812 458 19303</b>	Inset grid right
320 0	<b>4812 452 40251</b>	Glass panel + supports
320 2	<b>4812 404 78755</b>	End block left
320 3	<b>4812 404 78756</b>	End block right
332 0	<b>4812 410 29473</b>	Button,push Ampere
334 0	<b>4812 412 79476</b>	Knob
350 0	<b>4812 130 38793</b>	Display Ampere
351 0	<b>4801 310 00099</b>	Kit pilot lamp
440 0	<b>4812 361 18466</b>	Motor fan
441 0	<b>4812 361 18497</b>	Air cooling fan
442 0	<b>4812 361 18496</b>	Air cooling fan
443 0	<b>4819 515 48065</b>	Fan wheel
451 0	<b>4812 259 98405</b>	Heating element forced-air 240 V
452 0	<b>4812 259 98495</b>	Heating element upper/grill assembly
456 0	<b>4819 259 28847</b>	Heating element lower
491 0	<b>4812 290 68168</b>	Connectionblock
521 0	<b>4812 214 58345</b>	Power unit Ampere
522 1	<b>4819 273 28135</b>	Regulator 1 zone
554 0	<b>4801 211 01445</b>	Thermostat
554 9	<b>4801 211 00077</b>	Thermostat
557 0	<b>4812 282 28315</b>	Temper.limiter
557 1	<b>4812 282 28316</b>	Temper.limiter 70 °C
557 2	<b>4812 282 28317</b>	Temper.limiter 250 °C

<b>Pos</b>	<b>12NC</b>	<b>Description</b>
557 3	<b>4812 282 28346</b>	Temper.limiter 115°C
557 4	<b>4812 282 28331</b>	Cut out, Temp. pyro
611 0	<b>4812 133 28002</b>	Relay 240V
620 0	<b>4812 273 18109</b>	Switch,oven
620 9	<b>4812 273 18073</b>	Switch,oven
651 0	<b>4819 134 88153</b>	Lamp,oven
652 0	<b>4819 255 18237</b>	Holder lamp rear
652 9	<b>4812 255 18213</b>	Holder lamp assembly
656 0	<b>4812 450 28007</b>	Lamp screen rear
914 0	<b>4812 505 18421</b>	Nut M4
915 0	<b>4819 505 18145</b>	Nut
932 0	<b>4819 492 68714</b>	Spring
950 1	<b>4812 466 88773</b>	Gasket
950 9	<b>4812 466 88951</b>	Gasket lateral
993 0	<b>4812 310 38988</b>	Mounting kit

## Exploded View



0000 003 69908

## Technical Data

### Electrical base data

Rated voltage .....	230 V~
Main connection .....	230 V~50 Hz
Total power .....	4300 W

### Upper oven

Cavity dimensions .....	183 x 425 x 405 mm
Volume .....	31 dm <sup>3</sup>
Upper heating element .....	825 W
Lower heating element .....	920 W
Grill heating element .....	2300 W

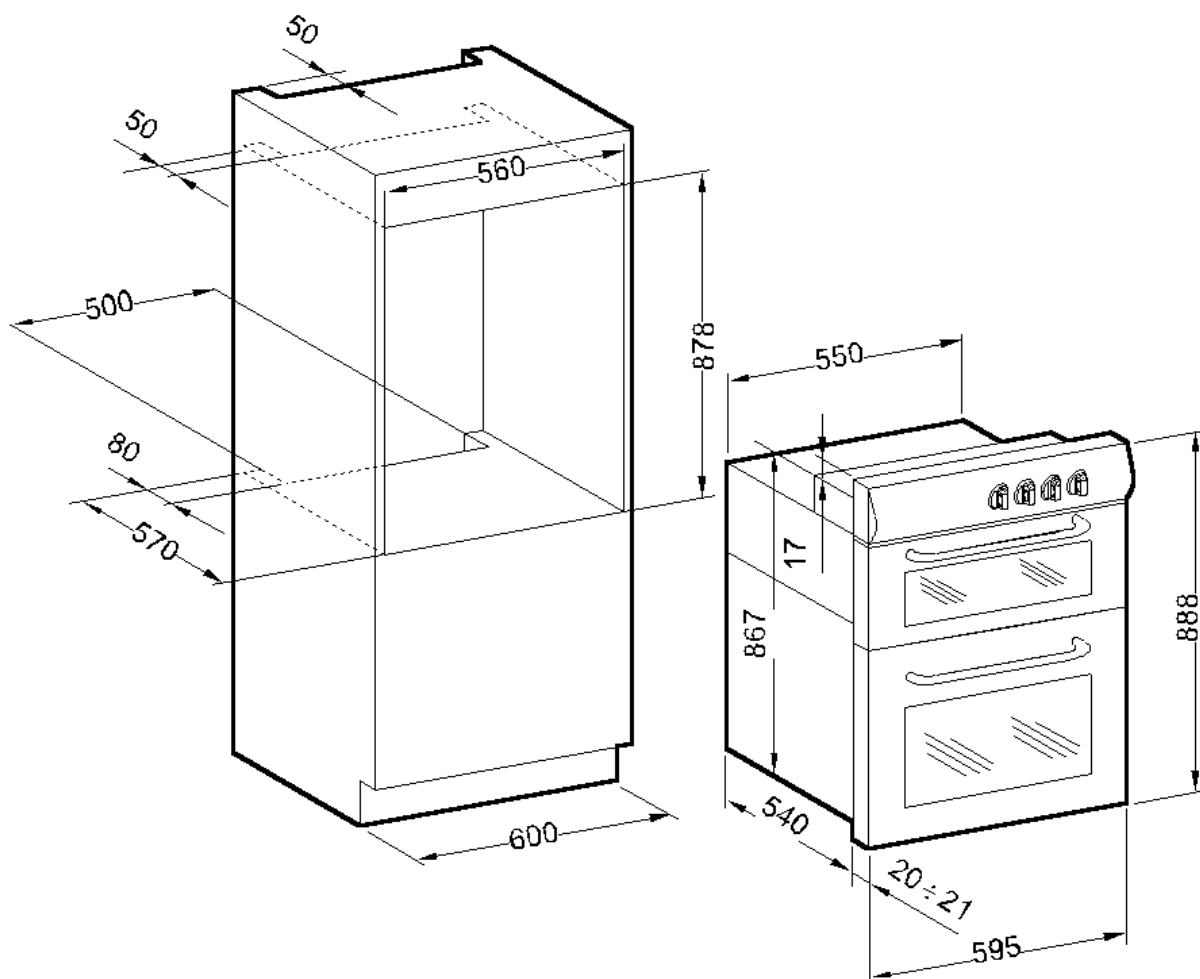
### Lower oven

Cavity dimensions .....	303 x 425 x 397 mm
Volume .....	51 dm <sup>3</sup>
Forced air .....	1840 W

### Electrical components

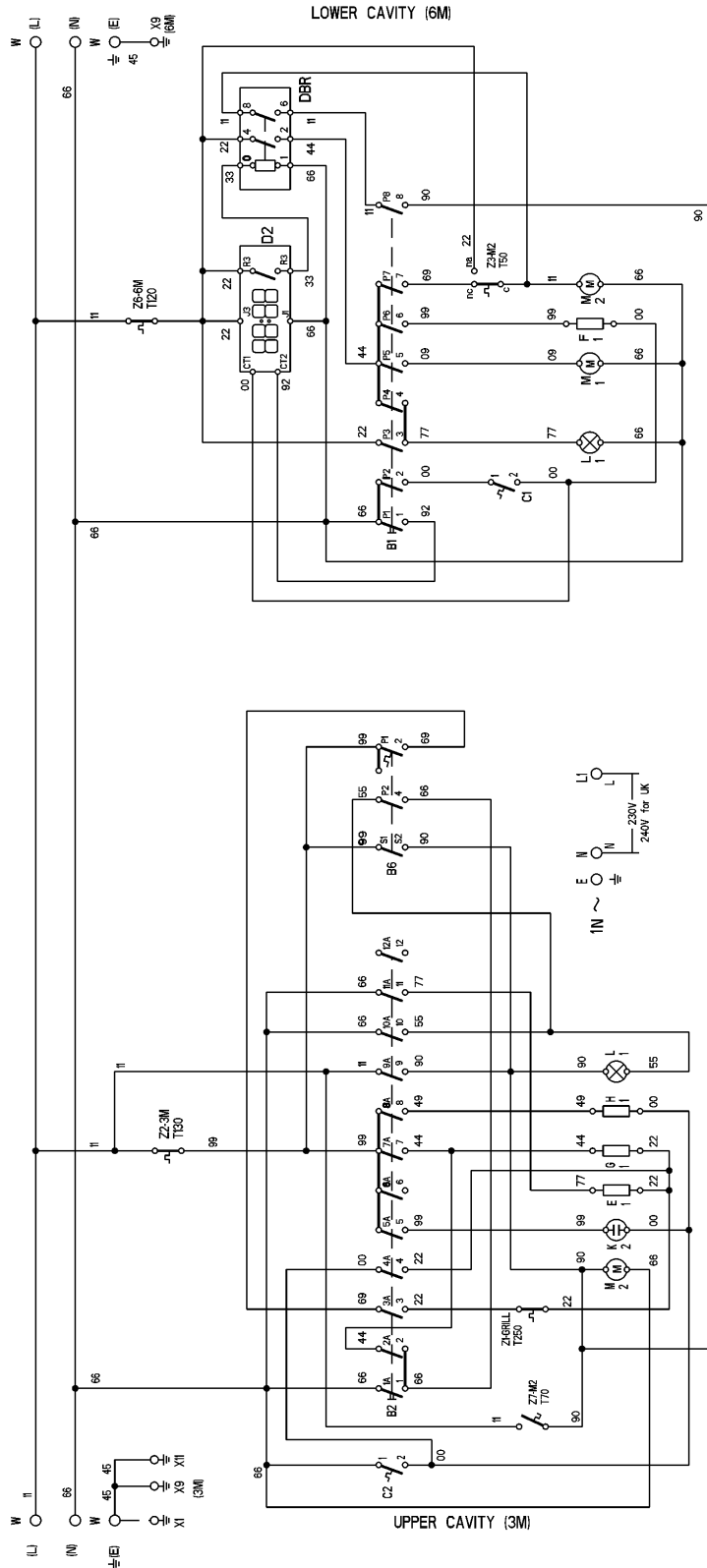
Auto timer .....	Ampere
Thermostat pilot lamp .....	Red

## Dimensional Sketch



Z8100101

## Wiring Diagram



4619 619 08322\_1



## Legend

B1	LOWER OVEN SELECTOR
B2	UPPER OVEN SELECTOR
B6	GRILL ENERGY REGULATOR
C1	LOWER OVEN THERMOSTAT
C2	UPPER OVEN THERMOSTAT
D2	OVEN TIMER AMPERE
E1	GRILL HEATING ELEMENT
F1	ROUND HEATING ELEMENT
G1	UPPER HEATING ELEMENT
H1	LOWER HEATING ELEMENT
L1	OVEN LAMPS
M1	CAVITY FAN
M2	COOLING FAN
DBR	DOUBLE BREAK RELAY
W	MAINS TERMINAL BLOCK
W4	TEST CONNECTOR
Z1	GRILL TEMPERATURE LIMITER
Z3	COOLING FAN THERMOLIMITER CONTROL
Z2	UPPER OVEN TEMPERATURE LIMITER
Z6	LOWER OVEN TEMPERATURE LIMITER
Z7	COOLING FAN THERMOLIMITER CONTROL
K2	OVEN THERMOSTAT PILOT LAMP (RED)
X9	EARTH UPPER/GRILL HEATING ELEMENT
X11	EARTH LAMP HOLDER
00	BLACK
11	BROWN
22	RED
33	ORANGE
44	YELLOW
55	GREEN
66	BLUE
77	VIOLET
99	WHITE
09	WHITE-BLACK
29	WHITE-RED
45	YELLOW-GREEN
49	WHITE-YELLOW
69	WHITE-BLUE
90	GREY
92	PINK

61908322en

## Service Bulletin 4812 715 40304

**AUTHOR:** Sabine Wilky

**Last Update:** 05/04/10

**VERSION:** 1.0

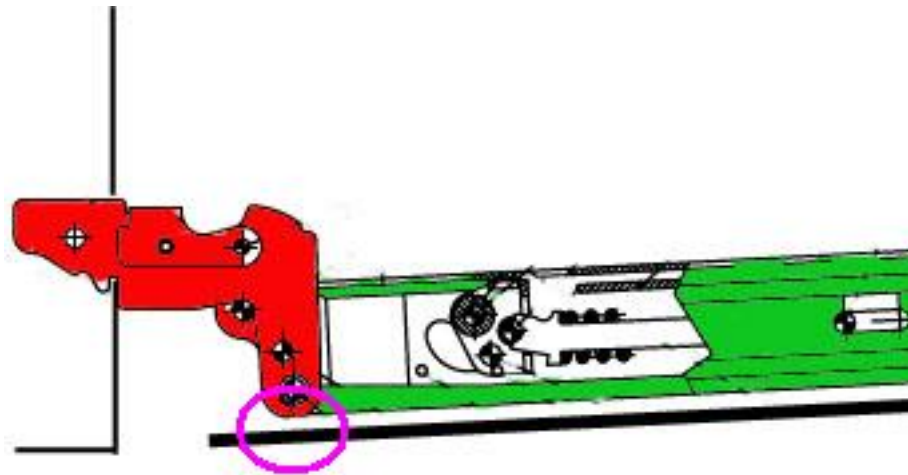
**TITLE:** spontaneous glass break, outer door glass

**SUBJECT:** Under certain circumstances it can happen, that the outer door glass breaks. This can happen every time e.g. during heating up, opening the door, cooling down.

### CAUSE

As cause it was detected a too small gap between hinge mechanism and inner side of the outer door glass. This gap results from bad tolerances. That means not all oven doors will consequently break.

By moving the door mechanism during opening and closing the door, the round edge of the lever pushes against the glass surface. This causes aging cracks.



From week 26/2008 production changed the hinges.

### REMEDIAL ACTION

Replace the outer door glass and replace the hinges of the oven with the ones mentioned in the list of codes attached below.

door	Type	Cassinetta 14		Wroclaw 39	
		New 12NC	Current	New 12NC	Current
6M	3 glasses	4801 211 00252	4812 417 19437	4801 211 00258	4812 417 19275
	2 glasses	4801 211 00253	4812 417 19471	4801 211 00259	4812 417 19339
	2 glasses-Light	4801 211 00254	4812 417 19521	4801 211 00261	4812 417 19522
	3 glasses KA	4801 211 00255	4812 417 19516		
3M of 9M	3 glasses	4801 211 00256	4812 417 19438		
	2 glasses	4801 211 00257	4812 417 19439		

**Service Bulletin 4812 715 40306****AUTHOR:** Pasquale Lattuca**Last Update:** 07/01/09**VERSION:** 1.0**TITLE:** Defect of Display Board, Power Board (Old Invensys)**SUBJECT:** By defects on Display or Power Board, please exchange always all modules**CAUSE**

Old Invensys Boards do not collaborate with new Norrkoping Boards.

**REMEDIAL ACTION**

1. Final order for all Invensys components are placed to avoid the complete exchanges.
2. If SPC do not have any stocks of old Invensys components, you have to exchange all components related to the list below.

**Involved models:**

<b>Modell</b>	<b>12 NC</b>
AKL 904 IX	8541 904 15000
AKL 904 WH	8541 904 15010
AKL 914 IX	8541 914 15000
AKL 914 WH	8541 914 15010
BMZD 6200 IN	8556 188 04000
BMZD 6500 IN	8556 230 04000
EMZD 6260 IN	8556 189 04000
ELZD 6250 IN	8556 240 22000
BLZD 6250 IN	8556 241 22000
AKP 150 WH01	8577 150 29030
AKP 150 IX01	8577 150 29040
AKP 150 NB01	8577 150 29050
AKP 151 IX01	8577 151 01000
AKP 159 IX	8577 159 15000
AKP 308 IX	8577 308 53010
OV 9M S	8579 216 15000
LPR 9024	8579 258 15000
LPR 9026	8579 258 15010
LPR 9028	8579 259 15000
LPR 9030	8579 259 15010
AKZ 400 IX05	8585 400 10010

<b>spare old (Invensys)</b>	<b>Service 12 NC old</b>	<b>spare new (Norrkoping)</b>	<b>Service 12 NC new</b>
Display Board Ampere	4812 130 38793	Display Board	4812 130 18696
Power Board Ampere	4812 214 58345	Power Board	4812 214 58615