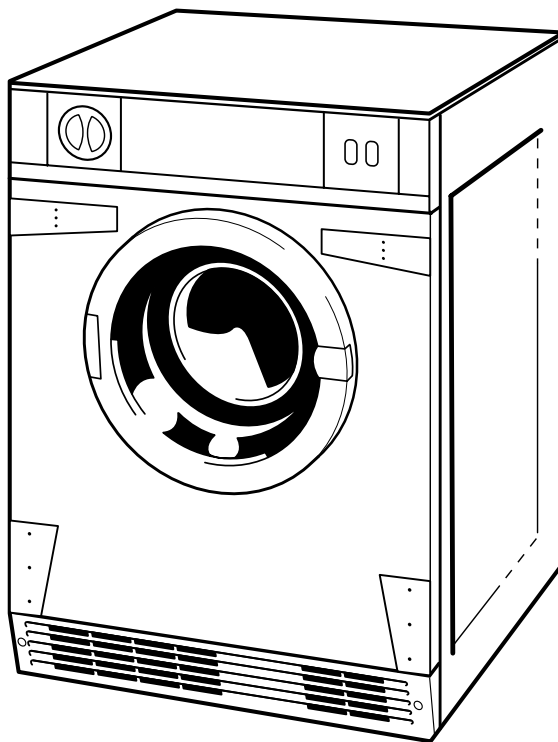


SERVICE MANUAL

ITD60T

Reversing Integrated Dryer - UK

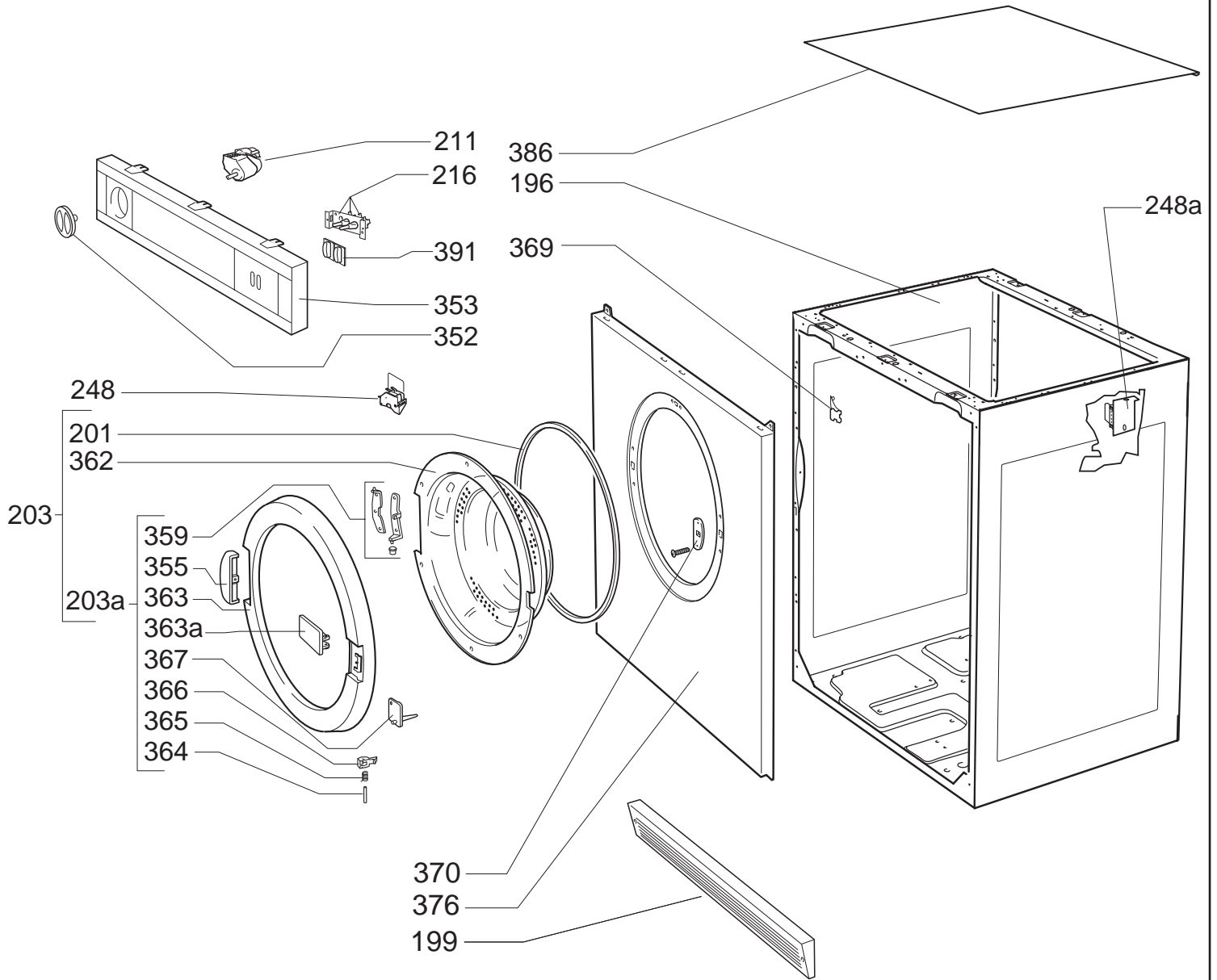
0312 432 15120



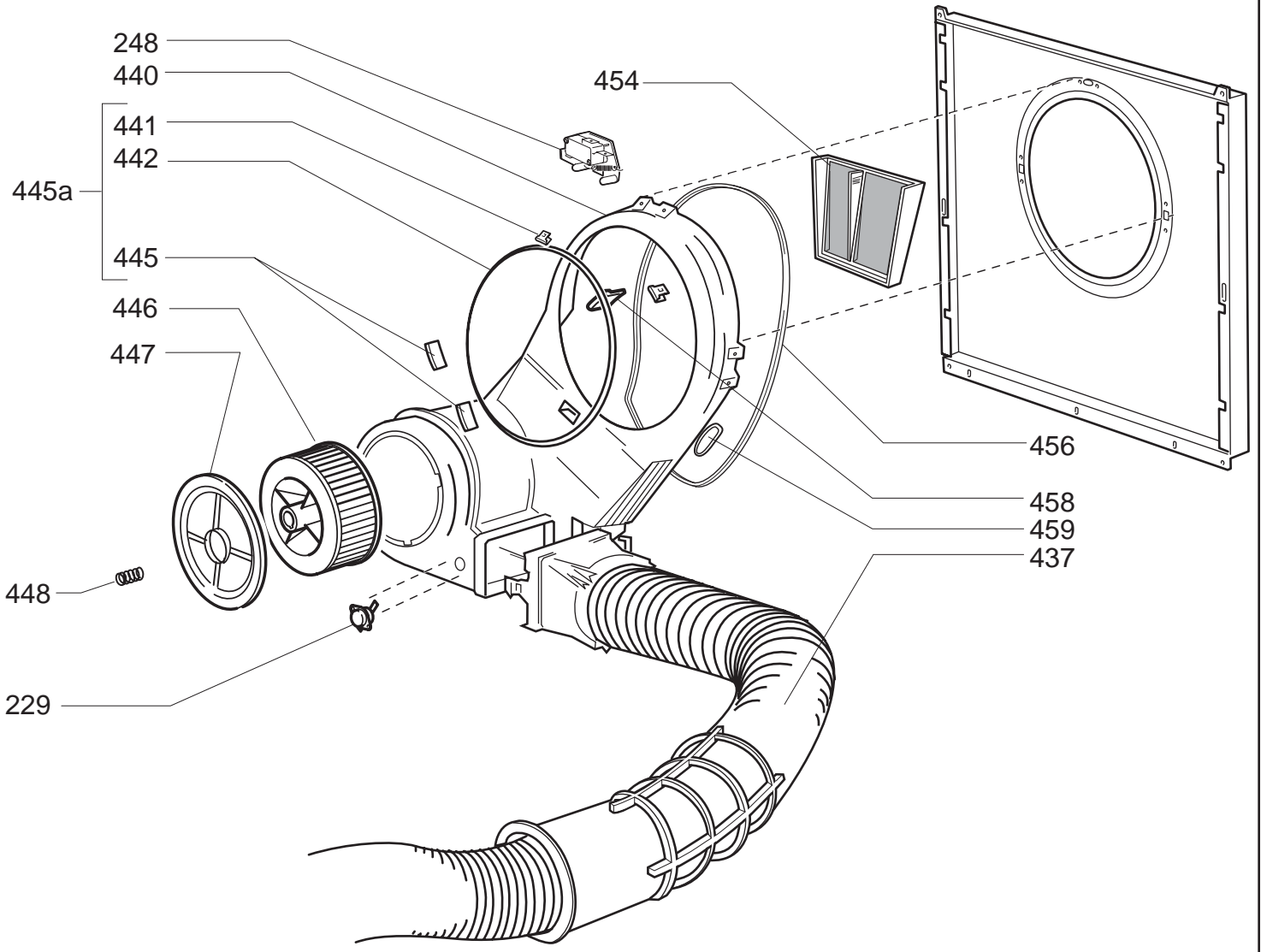
Technical Data
Exploded Views
Wiring Diagram
Parts List

March 2010

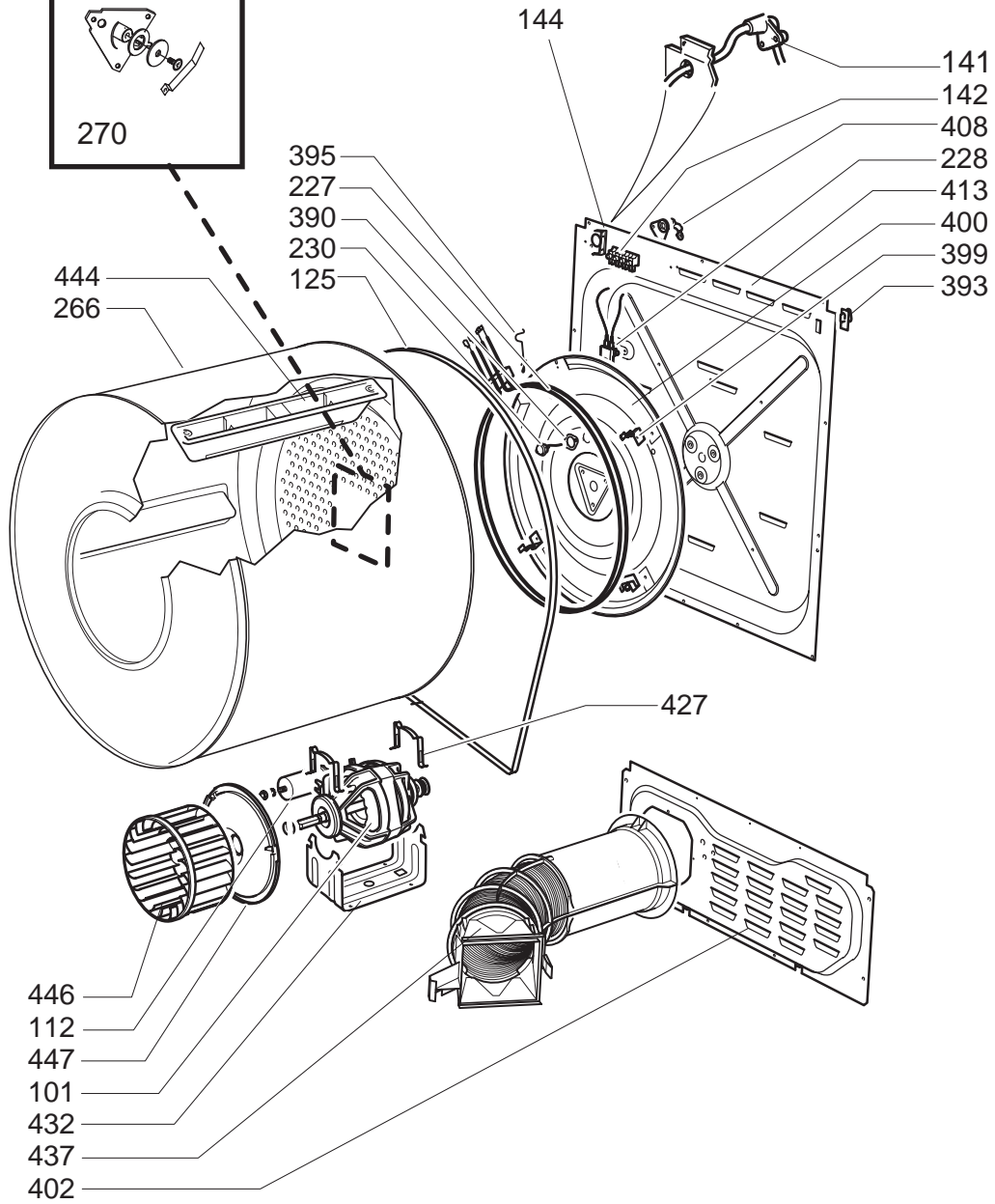
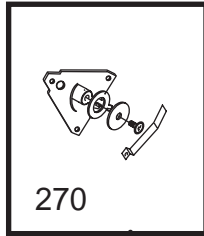
Exploded View 1



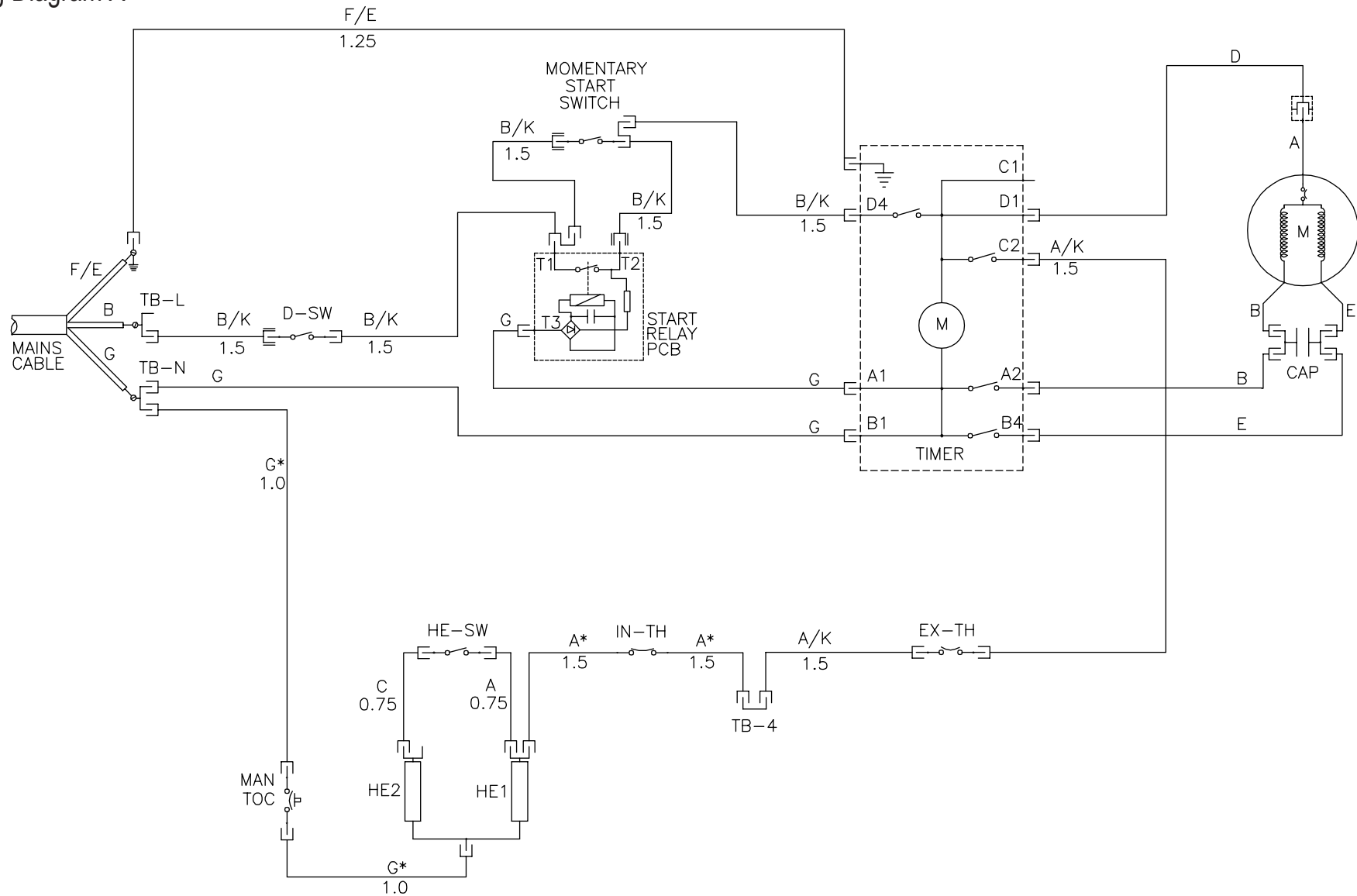
Exploded View 2



Exploded View 3



Wiring Diagram A



NOTES

1. ALL INTERNAL WIRING TO BE 0.5MM SQUARED, MULTI-STRAND, PVC INSULATED COPPER WIRE, UNLESS INDICATED OTHERWISE
2. WIRES MARKED THUS * TO BE SILICONE RUBBER INSULATED.

WIRE COLOUR CODE

A - BLACK
 B - BROWN
 C - RED
 D - ORANGE
 E - YELLOW
 F - GREEN
 G - BLUE
 H - VIOLET
 K - WHITE
 N/A - PINK

COMPONENT CODE

TB - TERMINAL BLOCK
 D-SW - DOOR SWITCH
 M - MOTOR
 EX-TH - EXHAUST THERMOSTAT
 IN-TH - INLET THERMOSTAT
 HE - HEATER
 HE-SW - HEAT SWITCH
 MAN TOC - MANUAL RESET HEATER CUT-OUT
 CAP - CAPACITOR

Reversing Integrated Dryer - Parts List

Item	Description	Code	Expl.View
101	Motor & 8µf Capacitor Assembly	4213 092 25611	3
112	8µf Capacitor	4213 092 08091	3
125	Drive Belt	4213 092 18601	3
141	Mains Cable	4213 076 35123	3
142	Terminal Block	4213 078 44613	3
144	Earth Tab Assembly	4213 092 41181	3
196	Cabinet Assembly	4213 092 43481	1
199	Ignis Plinth	4213 092 43491	1
201	Door Seal	4213 077 08344	1
203	Complete Flatline Door/Window Assembly	4213 092 45861	1
203a	Flatline Door Frame Assembly	4213 092 45901	1
211	Timer T600	4213 078 57551	1
216	Switches & Bracket Assembly	4213 092 44571	1
227	Heating Element	4213 092 05521	3
228	Heat TOC	4213 078 50161	3
229	Thermostat (exhaust)	4213 078 48373	2
230	Thermostat (inlet)	4213 078 56261	3
248	Microswitch/Bracket Assembly	4213 092 05251	1 & 2
248a	Door Interlock Relay Board	4213 092 48871	1
266	Drum Assembly	4213 092 05531	3
270	Drum Shaft/Bearing Kit	4213 092 05591	3
352	Timer Knob Assembly	4213 092 51231	1
353	Control Panel Assembly	4213 092 53261	1
355	Hinge Cover	4213 077 92382	1
359	Flatline Door Hinge Assembly	4213 092 04751	1
362	Window	4213 077 44095	1
363	Flatline Door Frame	4213 077 92282	1
363a	Flatline Door Handle	4213 077 92364	1
364	Latch Pivot	4213 075 13013	1
365	Latch Spring	4213 075 70833	1
366	Door Latch	4213 077 53413	1
367	Switch Strike	4213 077 83571	1
369	Loom Clip	4213 075 70941	1
370	Latch Guide	4213 077 40993	1
376	Front Panel Assembly	4213 092 45891	1
386	Flat Top Cover Assembly	4213 092 38311	1
390	Gasket	4213 074 50862	3
391	Oval Button	4213 077 99991	1
393	Flex Support Clip	4213 077 40982	3
395	Heater Wires Clip	4213 075 70971	3
399	Heater Support	4213 080 06619	3
400	Heater Plate	4213 080 14551	3
402	Access Panel	4213 080 06558	3
408	Cable Clamp	4213 077 47303	3
413	Back Panel Assembly	4213 092 37601	3
427	Motor Spring Clip	4213 078 45362	3
432	Motor Mount Bracket	4213 080 0675A	3
437	Extendable Rear Vent Kit	0312 002 02000	2 & 3
440	Banjo Assembly	4213 092 17811	2
441	Front Bearing (short)	4213 077 40952	2
442	Front Seal	4213 077 40942	2
444	Lifter	4213 077 41009	3
445	Front Bearing (long)	4213 077 40962	2
445a	Bearing Pads & Brush Seal Kit	4213 092 21171	2
446	Fan	4213 077 40896	2 & 3
447	Access Cover Assembly	4213 092 18081	2 & 3
448	Spring Clip (Fan)	4213 075 71162	2
454	Filter	4213 092 17821	2

Reversing Integrated Dryer - Parts List

456	Banjo Seal	4213 077 07992	2
458	Banjo Insert No 2 White	4213 077 53502	2
459	Banjo Insert No 1 White	4213 077 53492	2

Not Shown On Exploded Views

User Instruction Booklet	4213 194 00981
MFI Fittings (Pair of Hinges, Door Stop, Spacers etc.)	4213 089 14741

Due to changes to the loom wiring

Dryers built prior to the loom change and including dryers built with serial No's which start with 1002 and lower refer to wiring diagram A

Dryers built with serial No's which start with 1003 and higher refer to wiring diagram B